



Schenectady County  
Purchasing Department  
**ADDENDUM**

620 State St.-6<sup>th</sup> Floor  
Schenectady, NY 12305  
[Purchasing@schenectadycounty.com](mailto:Purchasing@schenectadycounty.com)  
518.388.4240

**RFB-2022-42**  
**SCCC CHEMISTRY LAB RENOVATION**

**ADDENDUM #2**

Issued Date 3/2/2022

The purpose of this addendum is to provide detailed information to all Bidders. This addendum is hereby included in and made part of the Contract Documents, whether or not attached thereto. Receipt of this Addendum must be acknowledged on the bid form.

**CONTENTS/RESPONSE TO QUESTIONS/REFERENCE TO ATTACHMENTS**

**ATTENTION:**

**ADDENDA #1 SECONDARY WALKTHROUGH DATE HAS BEEN CHANGED TO MARCH 4<sup>TH</sup> AT 10 AM.**

**Drawings added to this addenda:**

**AA-1 Dimensional Floor Plan**

**AA-2 Floor Plan**

**AA-3 Chem Lab 202 Cabinet Details**

**AA-4 Chem Lab 202 Cabinet Details**

**Additional Drawings for the Instrument Room will be provided shortly in the next Addenda.**

**Please acknowledge this addendum on your bid form.**

1. Areas to quote in Chem Lab 202: Bench #1, Bench #2, and Teacher Station, were identified in the A-2 Cabinet Details and Existing Condition Images, however it appears a Bench #3A & Bench 3B, on left & right sides of the 2 Fume Hoods on the back wall may not have been identified as well as a Bench #4 at the end of Bench #1. Please outline those pieces as well as anything else that needs to be included in the bid for room Chem Lab 202.

Answer: [Please see revised drawings attached to this addenda.](#)

2. Please clarify if the lab worksurfaces need to be phenolic or epoxy.

Answer: [Phenolic counter tops](#)

3. Please clarify if the sinks depicted in the Existing Conditions Images are epoxy sinks.

Answer: [Epoxy Sinks](#)

4. Do we need to quote lab faucets, and if so, are they to be standard or ADA faucets?

Answer: [Standard Lab Faucets except at the ADA Student Station attached to the Teacher Station.](#)



Schenectady County  
Purchasing Department  
**ADDENDUM**

620 State St.-6<sup>th</sup> Floor  
Schenectady, NY 12305  
[Purchasing@schenectadycounty.com](mailto:Purchasing@schenectadycounty.com)  
518.388.4240

- 
5. We see gas valves and outlets in the existing photos on the epoxy worksurfaces of the Benches, but there are no dimensions on the plans where they need to be – can these dimensions be provided?  
Answer: [Please see revised drawings attached to this addenda.](#)
  6. Based on the illustrations in A-2 Cabinet details for “Prep Room” Cabinets and the illustrations in Chem Lab A-1 details for “Instrument Room”, are Prep Room & Instrument Room the same rooms?  
Answer: [Only Instrument Room. Please eliminate drawing E-1 and see revised attached drawings.](#)
  7. If so, areas to quote in Instrument Room only show the island, that’s the only item on the plan view. However in A-2 Cabinet details Prep Room shows 3 cabinets on exterior walls... East, South, West.  
Answer: [Please see revised drawings attached to this addenda.](#)
  8. What cabinets need to be quoted for Prep Room & Instrument Room, and can cabinet typical be provided for all cabinets needing a quote for these rooms.  
Answer: [Please see revised drawings attached to this addenda.](#)
  9. A-2 Cabinet details is a 1 of 1 drawing showing the elevations and dimension of “cabinet typicals” for Prep Room and Instructors Accessible Station Cabinets. No cabinet typical details were provided for Chem Lab Room 202, Chem Lab-A-1 is an additional drawing (1 of 1) provided, but only provides an overhead view of the Chem Lab Room 202 bench dimensions. Can a drawing be provided of what is needed for an actual “cabinet typicals” requested for Chem Lab 202?  
Answer: [Please see revised drawings attached to this addenda.](#)
  10. One ADA compliant cabinet is depicted in Chem Lab 202, no ADA compliant cabinets are shown or requested for Prep Room Cabinetry. Is there a need for an ADA compliant cabinet in the Prep Room cabinetry?  
Answer: [Please see revised drawings attached to this addenda.](#)
  11. Can CAD drawings of Chem Lab Room 202 and Prep Room with overall room dimensions be provided?  
Answer: [Please see revised drawings attached to this addenda.](#)
  12. Are Fume Hoods to be quoted? And if so, what are specs and dimensions on Fume Hoods shown in the drawings, and how many Fume Hoods are requested?  
Answer: [5 Fume Hoods are to be replaced as per scope of work. Please see revised drawings attached to this addenda.](#)
  13. During the walk through on 2/17/2022 it was apparent that eye wash stations and an emergency shower station were visible. Are they to be included in the quote?  
Answer: [No, not included in this bid.](#)



Schenectady County  
Purchasing Department  
**ADDENDUM**

620 State St.-6<sup>th</sup> Floor  
Schenectady, NY 12305  
[Purchasing@schenectadycounty.com](mailto:Purchasing@schenectadycounty.com)  
518.388.4240

- 
14. It was discussed during the walk through on 2/17/202 that students stand for 45-90 minutes per class and some modest stools were currently in place in the smaller Prep Room, are stools, perch or pivot seats to be included in the quote, and if so how many?

Answer: Please see revised Bid Form. Please provide a quote for the specified number of stools and chairs on the attached new Bid Form.

Please also see attachment Specification Section 01 03 00 for further information on the requested add alternated.



Schenectady County  
Purchasing Department  
**ADDENDUM**

620 State St.-6<sup>th</sup> Floor  
Schenectady, NY 12305  
[Purchasing@schenectadycounty.com](mailto:Purchasing@schenectadycounty.com)  
518.388.4240

---

SCCC CHEMISTRY LAB RENOVATION: DELIVERY AND INSTALL INCLUDED IN BID PRICE

\$ \_\_\_\_\_  
BASE BID TOTAL

---

(TOTAL WRITTEN AMOUNT)

ADD ALTERNATES:

ADD ALTERNATE #1:

PRICE FOR 15 SITTING STOOLS

\$ \_\_\_\_\_

ADD ALTERNATE #2:

PRICE FOR 3 CHAIRS

\$ \_\_\_\_\_

ADD ALTERNATE #3:

PRICE FOR DEMOLITION AND REMOVAL OF EXISTING CABINETRY AND FUME HOODS

\$ \_\_\_\_\_

The following documents are attached to and made a part of this bid:

- a) Certified Copy of Resolution of Board of Directors
- b) Non-Collusion Bid Certification
- c) Iranian Divestment Form
- d) Disclosure of Prior Non-Responsibility Determinations
- e) Certification for the Prevention of Sexual Harassment
- f) Subcontractors Listing
- g) Bidder's Qualifications
- h) Apprenticeship Form (if required)
- i) MWBE Documents (if required)
- j) Bid Bond
- k) W-9



Schenectady County  
Purchasing Department  
**ADDENDUM**

620 State St.-6<sup>th</sup> Floor  
Schenectady, NY 12305  
[Purchasing@schenectadycounty.com](mailto:Purchasing@schenectadycounty.com)  
518.388.4240

---

**SECTION 01 03 00**

**ALTERNATES**

**PART 1 GENERAL**

**1.1 SUMMARY**

- A. This section specifies administrative and procedural requirements for Alternates.
- B. Definition: An Alternate is an amount proposed by Bidders and stated on the Bid Form for certain construction activities defined in the Bidding Requirements that may be added to or deducted from Base Bid amount if the Owner decides to accept a corresponding change in either the amount of construction to be completed, or in the products, materials, equipment, systems or installation methods described in Contract Documents. Contractors overhead and profit should be included in the contractors alternate bid amount.
- C. Coordination: Coordinate related work and modify or adjust adjacent work as necessary to ensure that work affected by each accepted Alternate is complete and fully integrated into the project.
- D. Notification: Immediately following the award of the Contract, prepare and distribute to each party involved, notification of the status of each Alternate. Indicate whether Alternates have been accepted or rejected. Include a complete description of negotiated modifications to Alternates.
- E. Schedule: A “Schedule of Alternates” is included at the end of this section. Specification Sections referenced in the Schedule contain requirements for materials and methods necessary to achieve the work described under each Alternate.
  - 1. Include as part of each Alternate, miscellaneous devices, accessory objects, all associated items to or required for a complete installation whether or not mentioned as part of the Alternate.

**PART 2 PRODUCTS (Not Applicable)**

**PART 3 EXECUTION**

**2.1 SCHEDULE OF ALTERNATES**

- 1. ALTERNATE #1: Price for 15 Sitting Stools
- 2. ALTERNATE #2: Price for 3 Chairs
- 3. ALTERNATE #3: Price for Demolition and Removal of existing cabinetry and fume hoods.



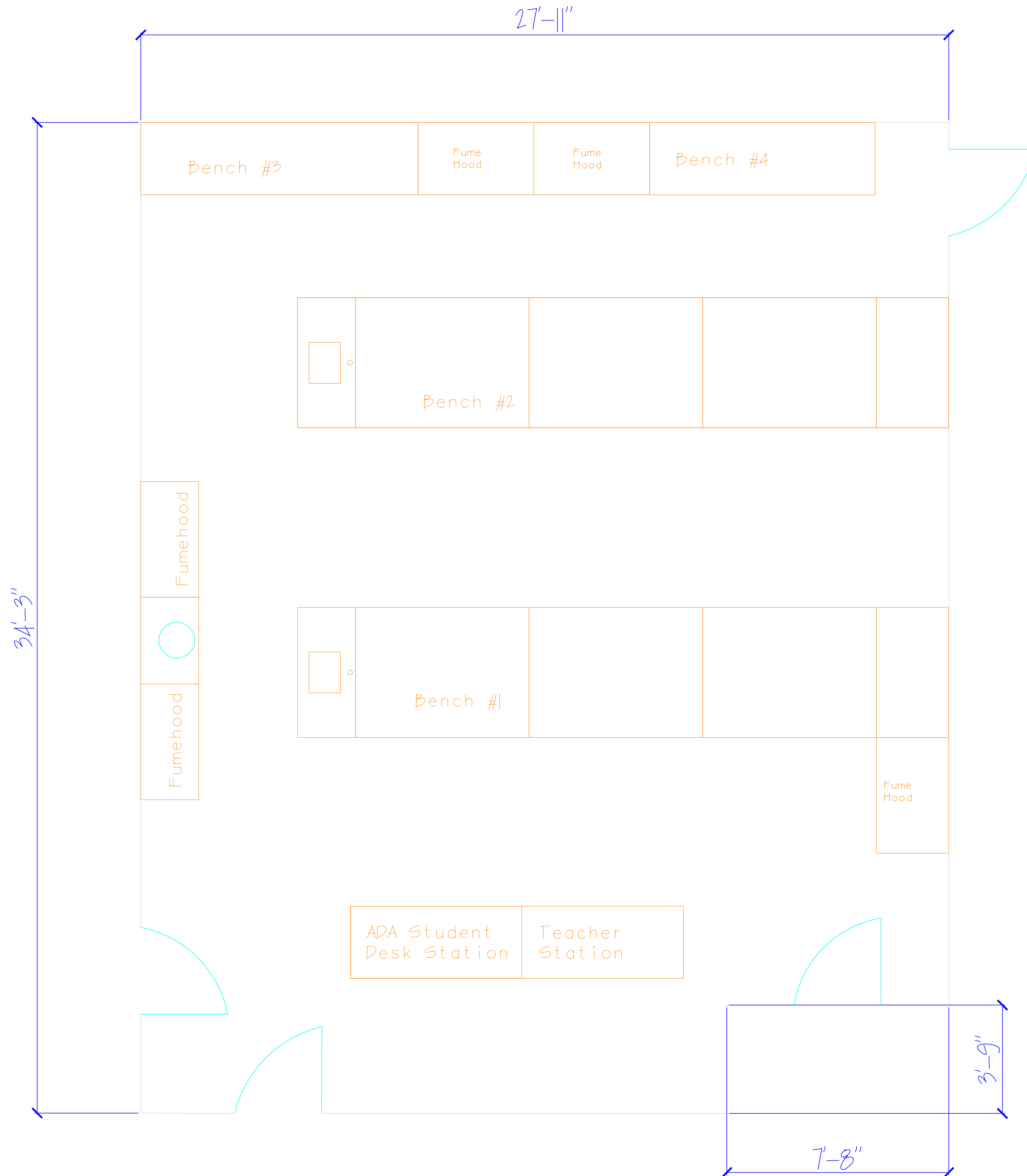
Schenectady County  
Purchasing Department  
**ADDENDUM**

620 State St.-6<sup>th</sup> Floor  
Schenectady, NY 12305  
[Purchasing@schenectadycounty.com](mailto:Purchasing@schenectadycounty.com)  
518.388.4240

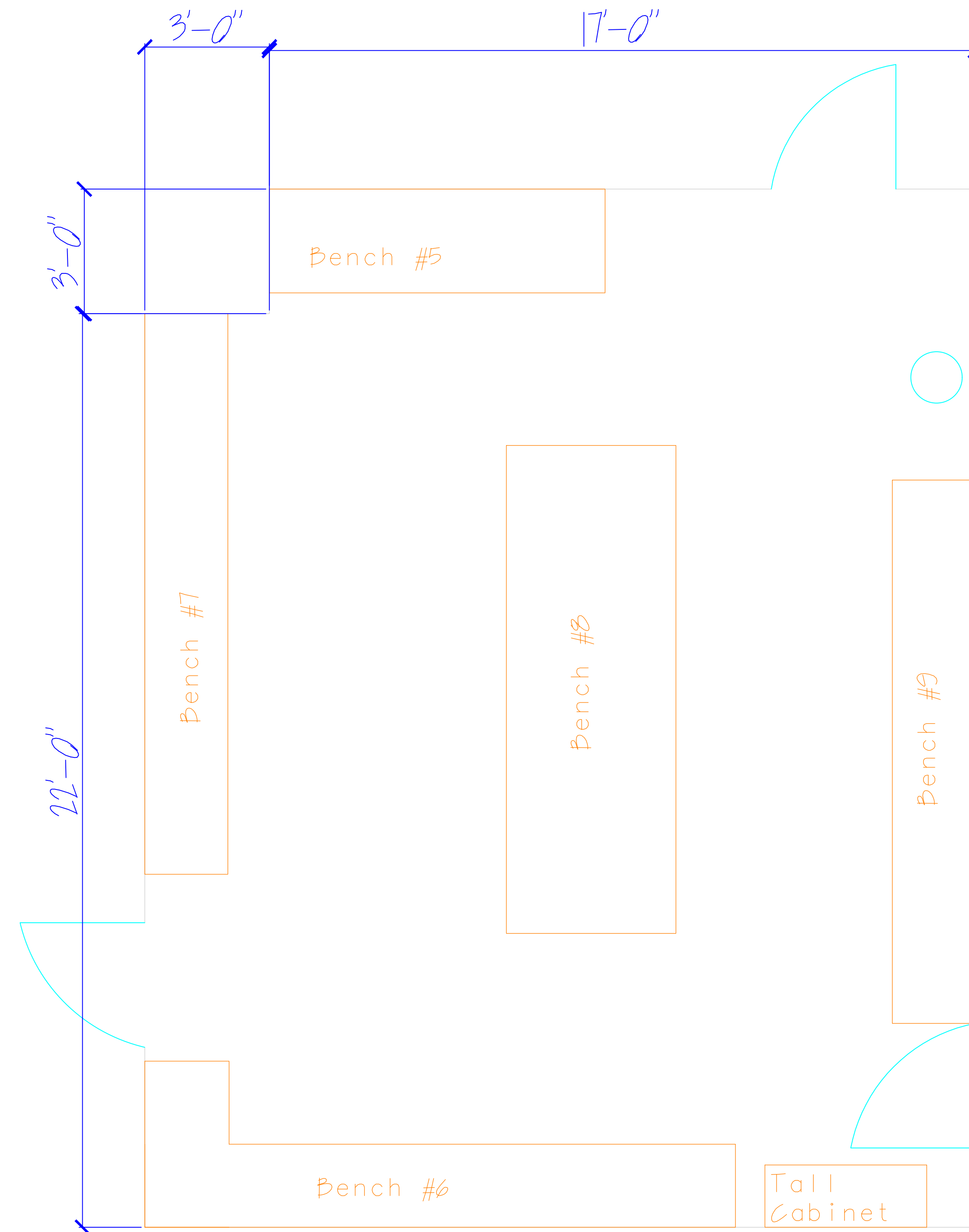
---

**END OF ADDENDUM #2**

# CHEM LAB 202

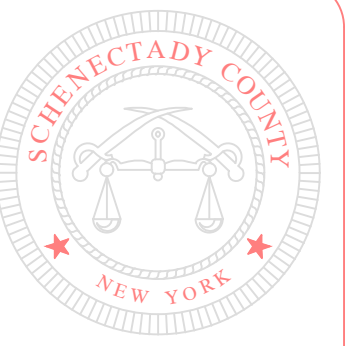


# INSTRUMENT ROOM



### General Notes:

1. Contractor is responsible for all measurements.
2. Dimensions provided are approximate for reference only.
3. Doors are standard 36" width.
4. Work to be done during Summer Break starting June 1st.
5. Contractor to provide a quote replacement in kind.
6. Contractor is responsible for all electrical and mechanical/plumbing connections required for installation of new furniture.
7. Proposal is to include delivery and install.
8. Demolition of previous material by College. Contractor to provide add alternate number for demolition. Please see Front End Documents and Bid form for further clarification.



"Unauthorized alteration or addition to this document is a violation of Section 7209 (2) of New York State Education Law."

Schenectady County Office of Facilities

SUNY SCCC Chemistry Lab Renovation  
60 Washington Ave Schenectady NY 12305

Drawn by:

Checked by:

Project No.: RFB-2022-42

CAD File:

Date: Feb 2022

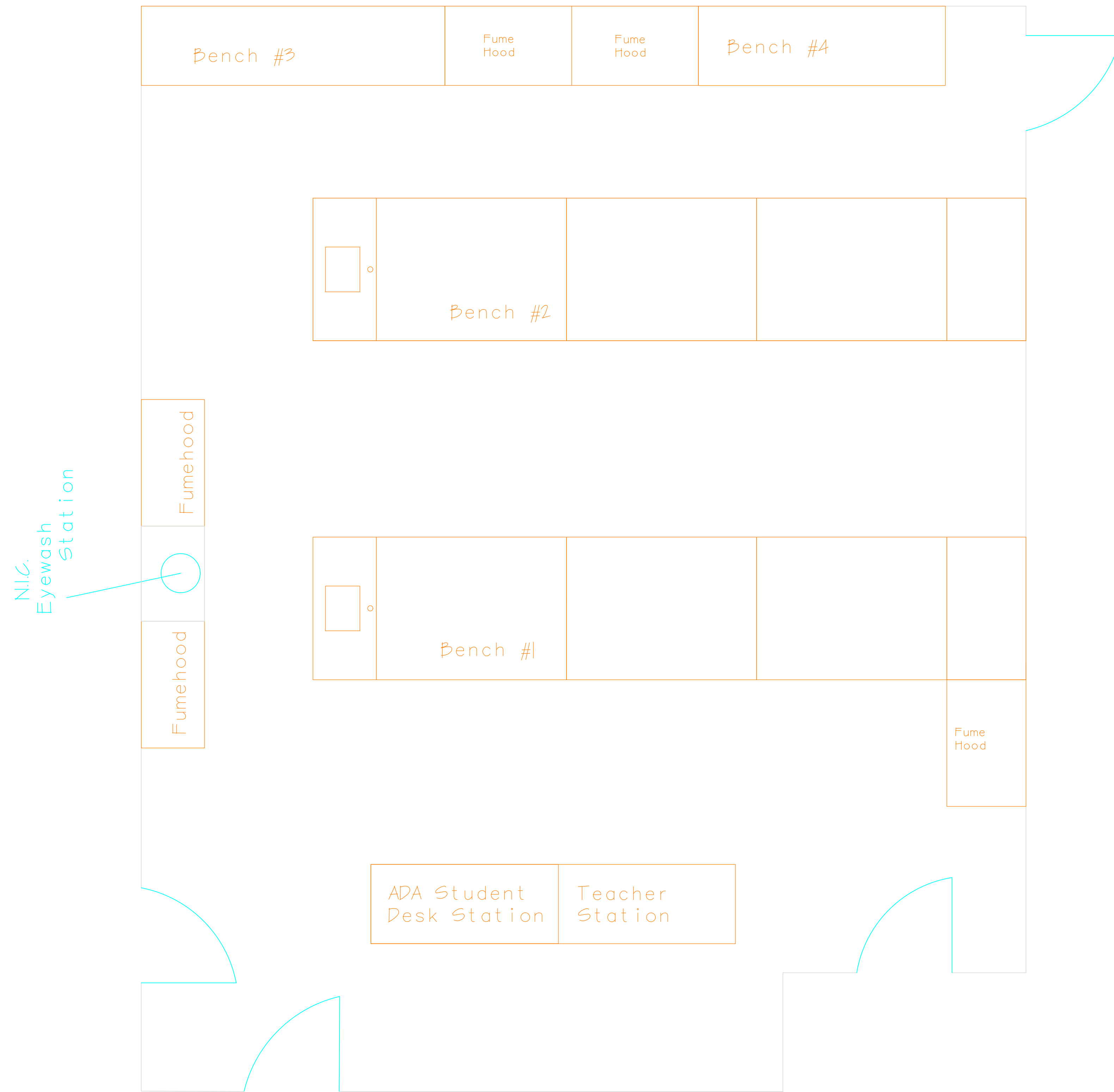
Title:  
Dimensional  
Floor Plan

Scale: Not to Scale

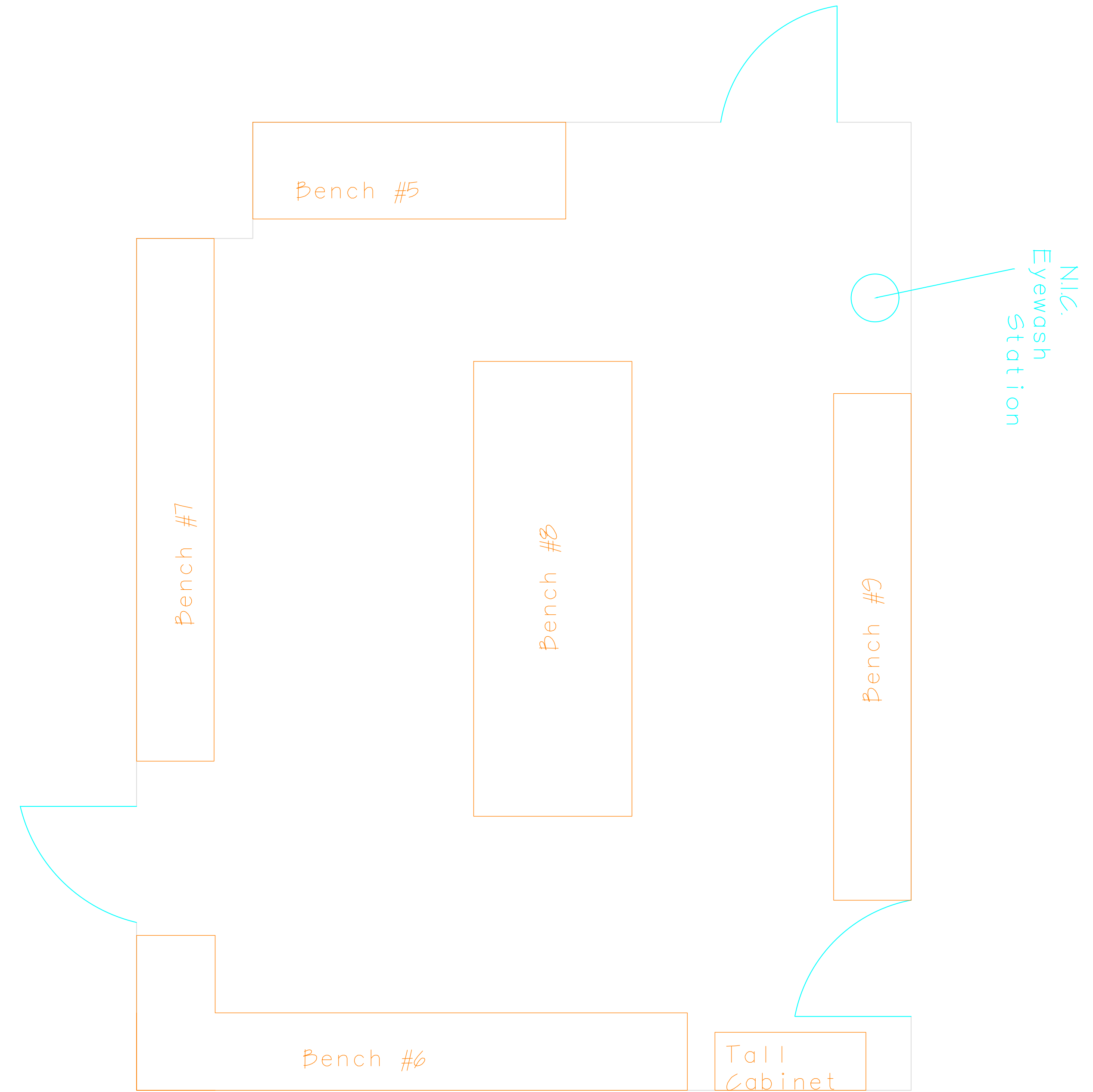
Drawing No.:

AA-1

# CHEM LAB 202

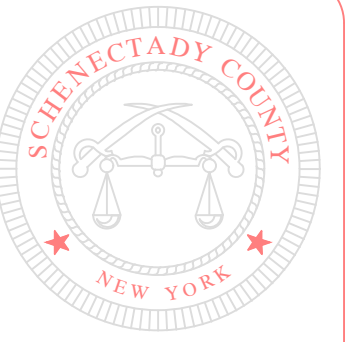


# INSTRUMENT ROOM



### General Notes:

1. Contractor is responsible for all measurements.
2. Dimensions provided are approximate for reference only.
3. Doors are standard 36" width.
4. Work to be done during Summer Break starting June 1st.
5. Contractor to provide a quote replacement in kind.
6. Proposal is to include delivery and install.
7. Demolition of previous material by College.



"Unauthorized alteration or addition to this document is a violation of Section 7209 (2) of New York State Education Law."

Schenectady County Office of Facilities

SUNY SCCC Chemistry Lab Renovation  
60 Washington Ave Schenectady NY 12305

Drawn by:

Checked by:

Project No.: RFB-2022-42

CAD File:

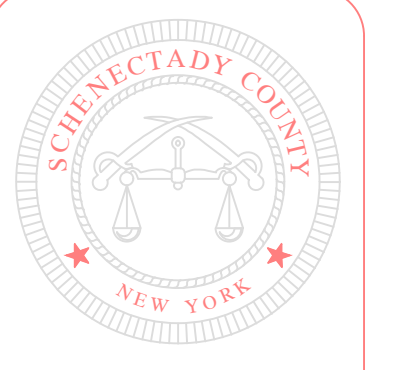
Date: Feb 2022

Title: Floor Plan

Scale: Not to Scale

Drawing No.:

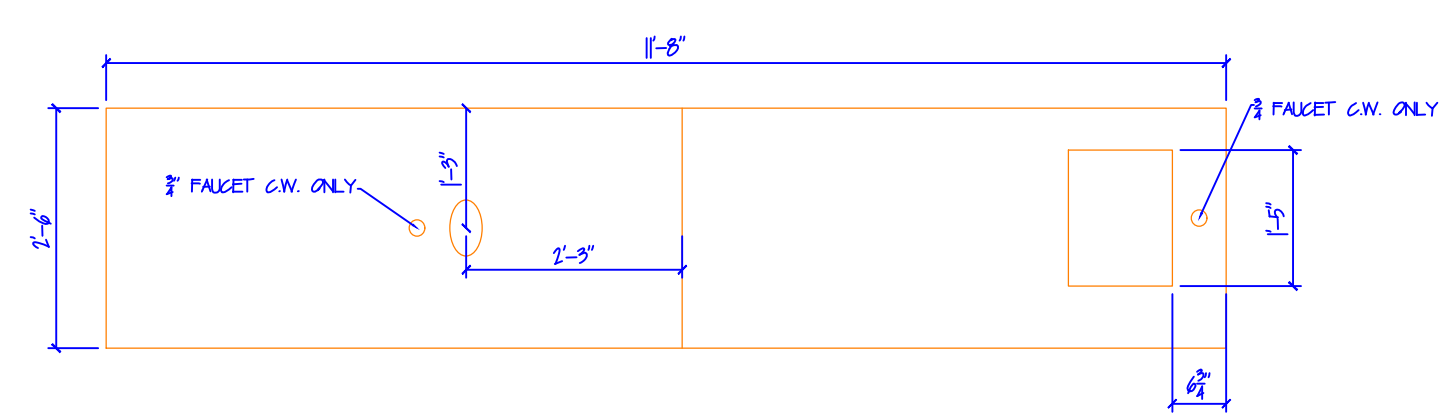




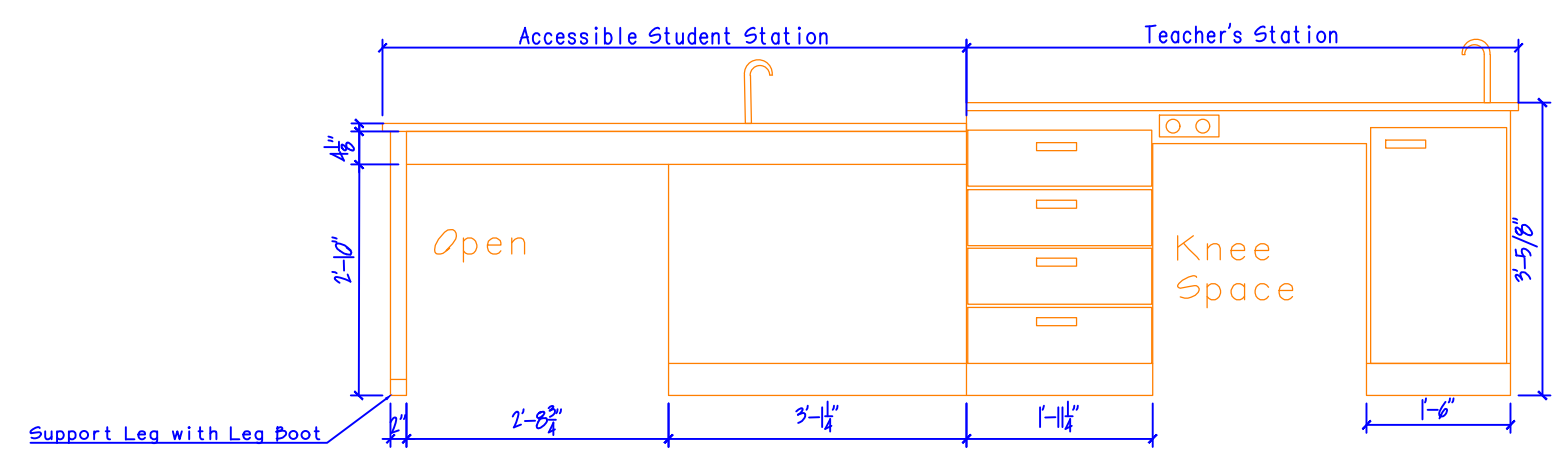
\*Unauthorized alteration or addition to this document is a violation of Section 7209 (2) of New York State Education Law.

General Notes:

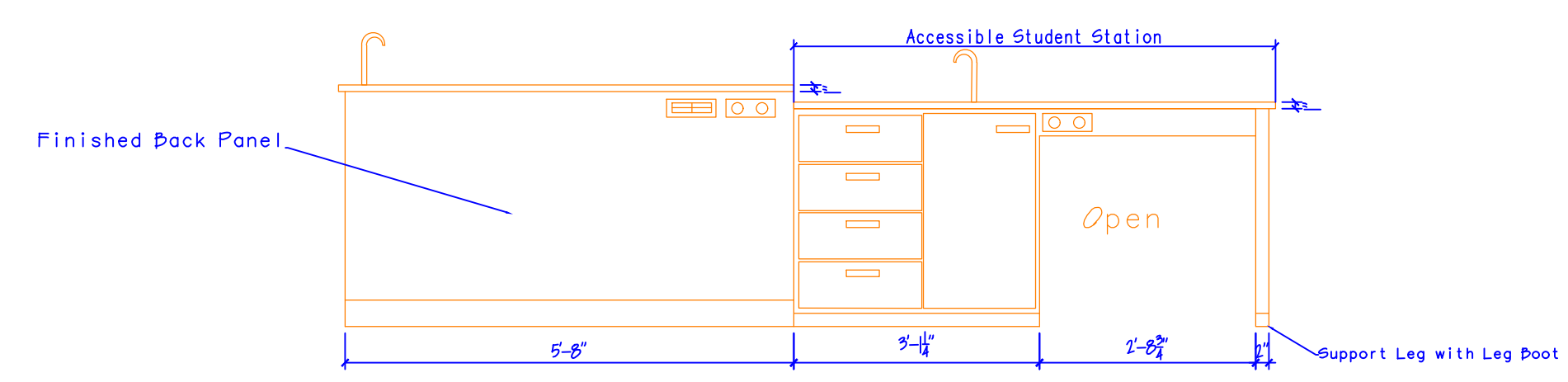
1. Contractor is responsible for all final measurements.
2. Dimensions provided are for reference only.
3. Any measurements are to be field verified including chem lab accessory locations prior to order placement.
4. Shop drawings are to be provided and approved by Schenectady County and Schenectady County Community College prior to order placement.
5. Countertops are to be Black Phenolic Resin.
6. Sinks are to be Black Epoxy Sinks unless otherwise noted.
7. Small oval epoxy sinks are approximately 7"x4" unless otherwise noted.
8. Faucets are 3/4" unless otherwise noted.
9. All Faucets, valves, electrical receptacles, and data receptacles are to be replaced unless otherwise noted.
10. 22-1/2" Deep Cabinets typical unless otherwise noted.
11. Vinyl base is to be the color black.
12. All drawers and cabinet doors must be lockable with master key.



Top View

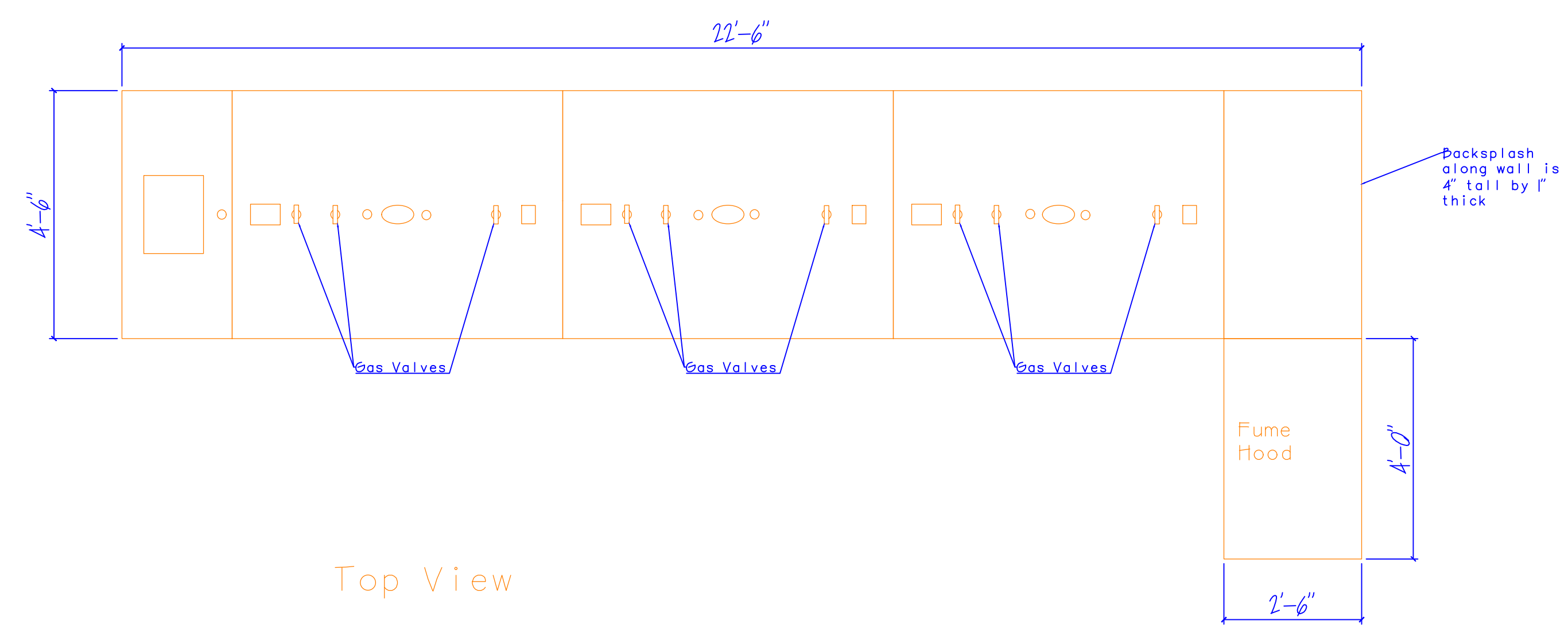


North View

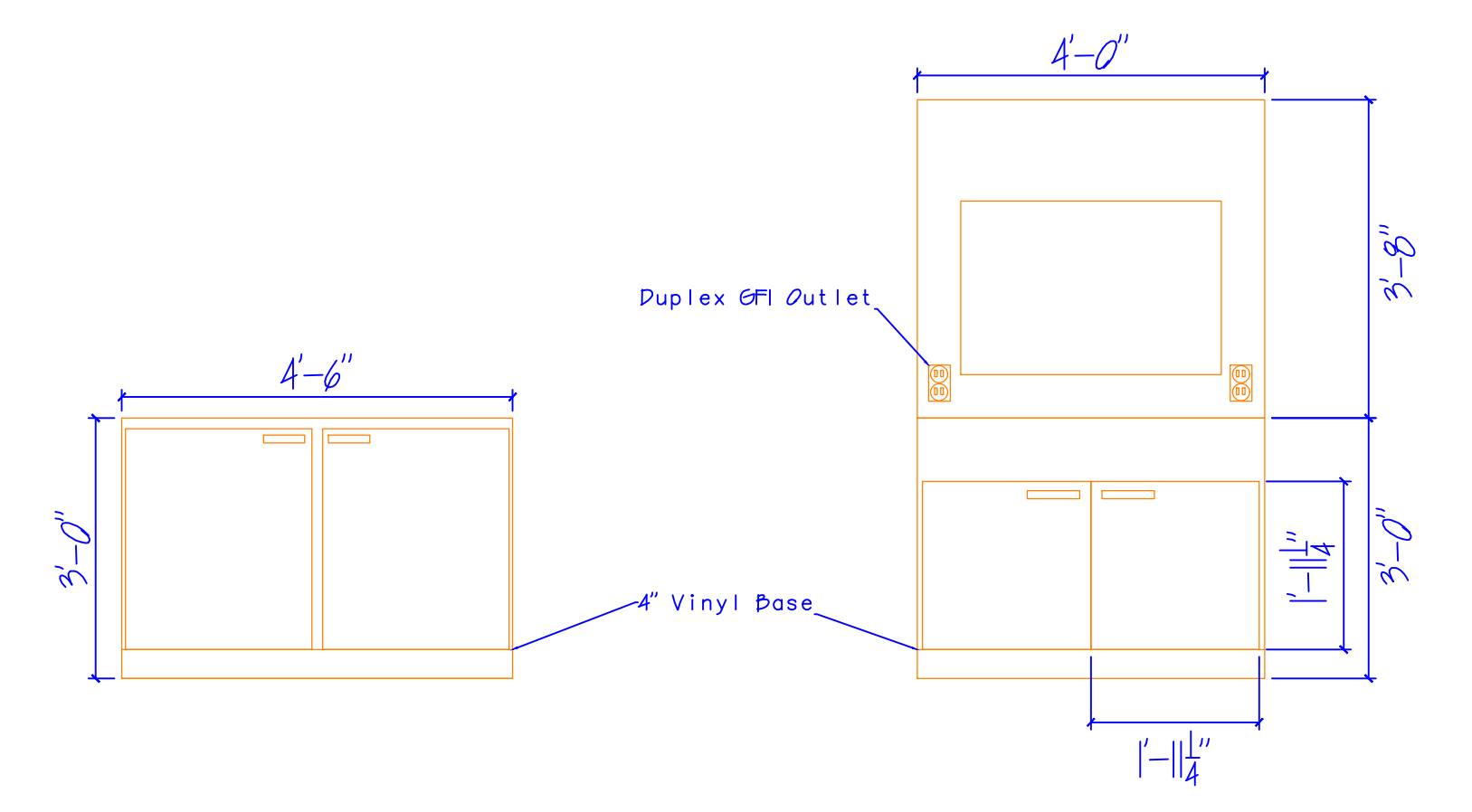


South View

Accessible Student/Teacher Station

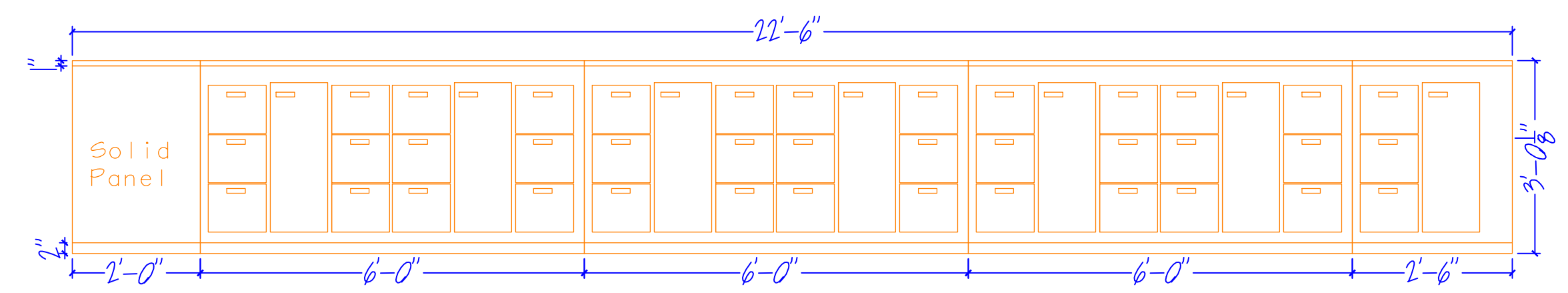


Top View



Side/West View

Side/West (Fume Hood) View



North & South View

Bench #

Schenectady County Office of Facilities

SUNY SCCC Chemistry Lab Renovation  
60 Washington Ave Schenectady NY 12305

Drawn by:

Checked by:

Project No.: RFB-2022-42

CAD File:

Date: Feb 2022

Title:

Chem Lab 202 Cabinet Details

Scale: Not to Scale

Drawing No.:

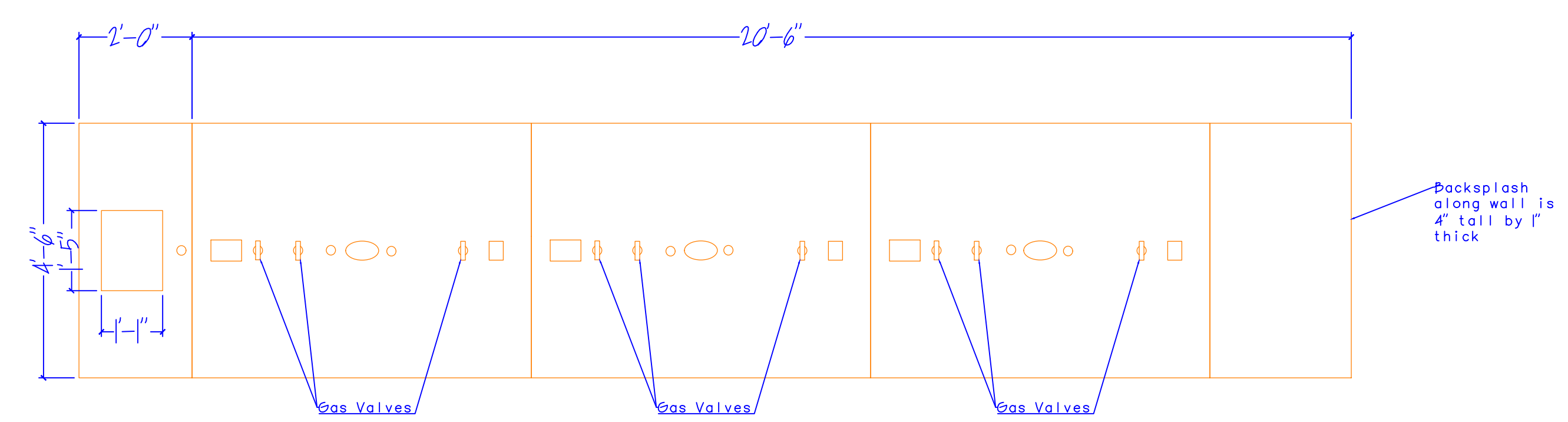


\*Unauthorized alteration or addition to this document is a violation of Section 7209 (2) of New York State Education Law.\*

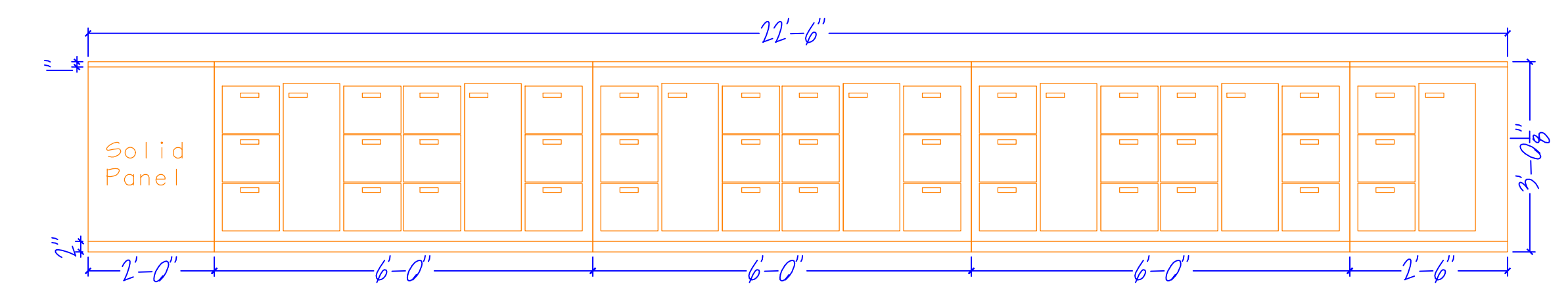
Schenectady County Office of Facilities  
SUNY SCCC Chemistry Lab Renovation  
60 Washington Ave Schenectady NY 12305

Drawn by:  
Checked by:  
Project No.: RFB-2022-42  
CAD File:  
Date: Feb 2022  
Title: Chem Lab 202 Cabinet Details  
Scale: Not to Scale  
Drawing No.:

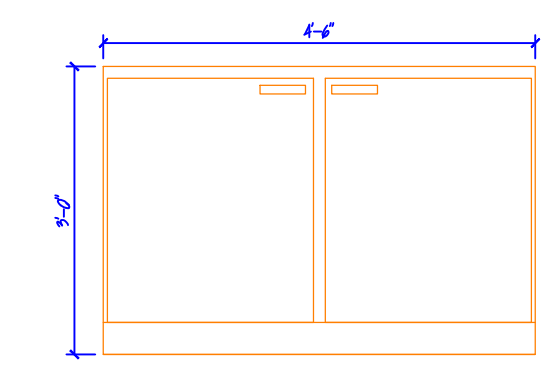
- General Notes:
1. Contractor is responsible for all final measurements.
  2. Dimensions provided are for reference only.
  3. Any measurements are to be field verified including chem lab accessory locations prior to order placement.
  4. Shop drawings are to be provided and approved by Schenectady County and Schenectady County Community College prior to order placement.
  5. Countertops are to be Black Phenolic Resin.
  6. Sinks are to be Black Epoxy Sinks unless otherwise noted.
  7. Small oval epoxy sinks are approximately 7"x4" unless otherwise noted.
  8. Faucets are  $\frac{3}{4}$ " unless otherwise noted.
  9. All Faucets, valves, electrical receptacles, and data receptacles are to be replaced unless otherwise noted.
  10. 22-1/2" Deep Cabinets typical unless otherwise noted.
  11. Vinyl base is to be the color black.
  12. All drawers and cabinet doors must be lockable with 1 master key.



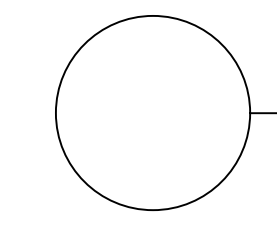
Top View



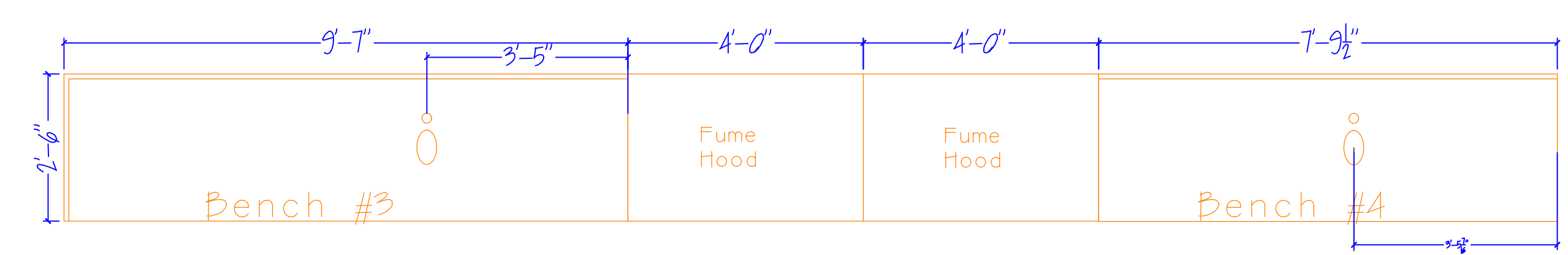
North & South View



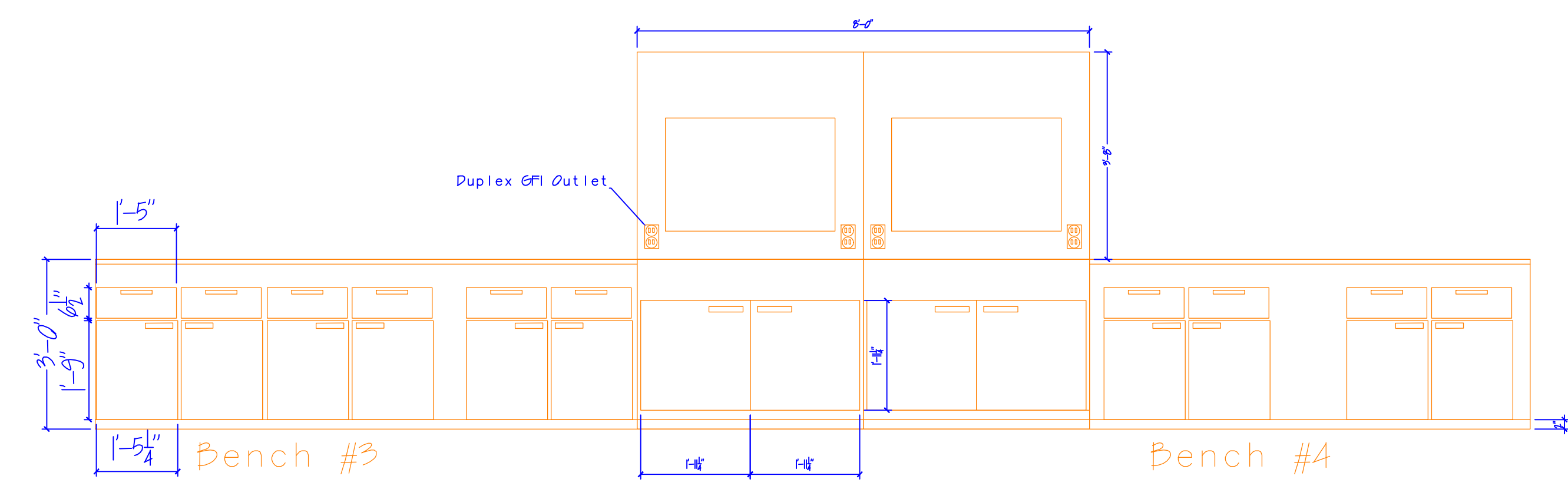
Side/West View



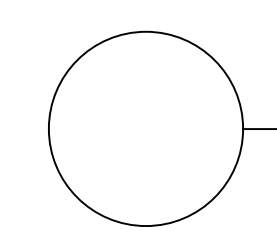
Bench #2



Top View



North View



Bench #3 and Bench #4